

# WK Series



## WK Series Push-Lock connector

### ● Product characteristics:

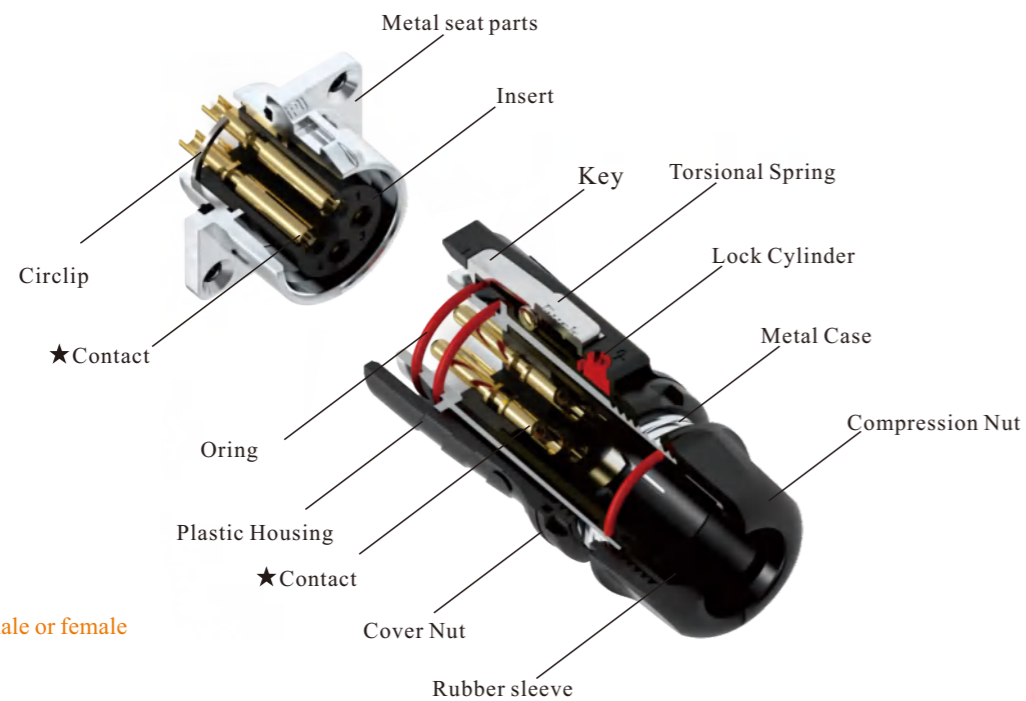
- Quick installation of product wiring, direct push pull lock buckle  
Quick plug-in and reliable, convenient and reliable;
- With button lock function;
- With shielding function;
- IP68 waterproof.





**WK**  
series

● Lock the hook tightly

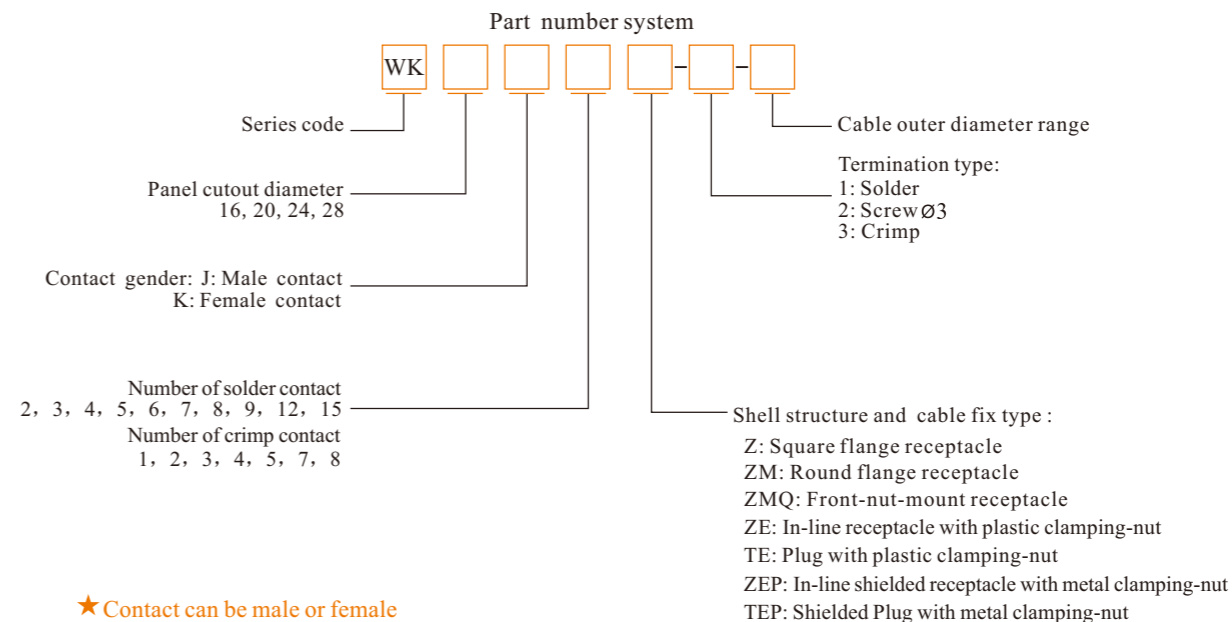


★ Contact can be male or female

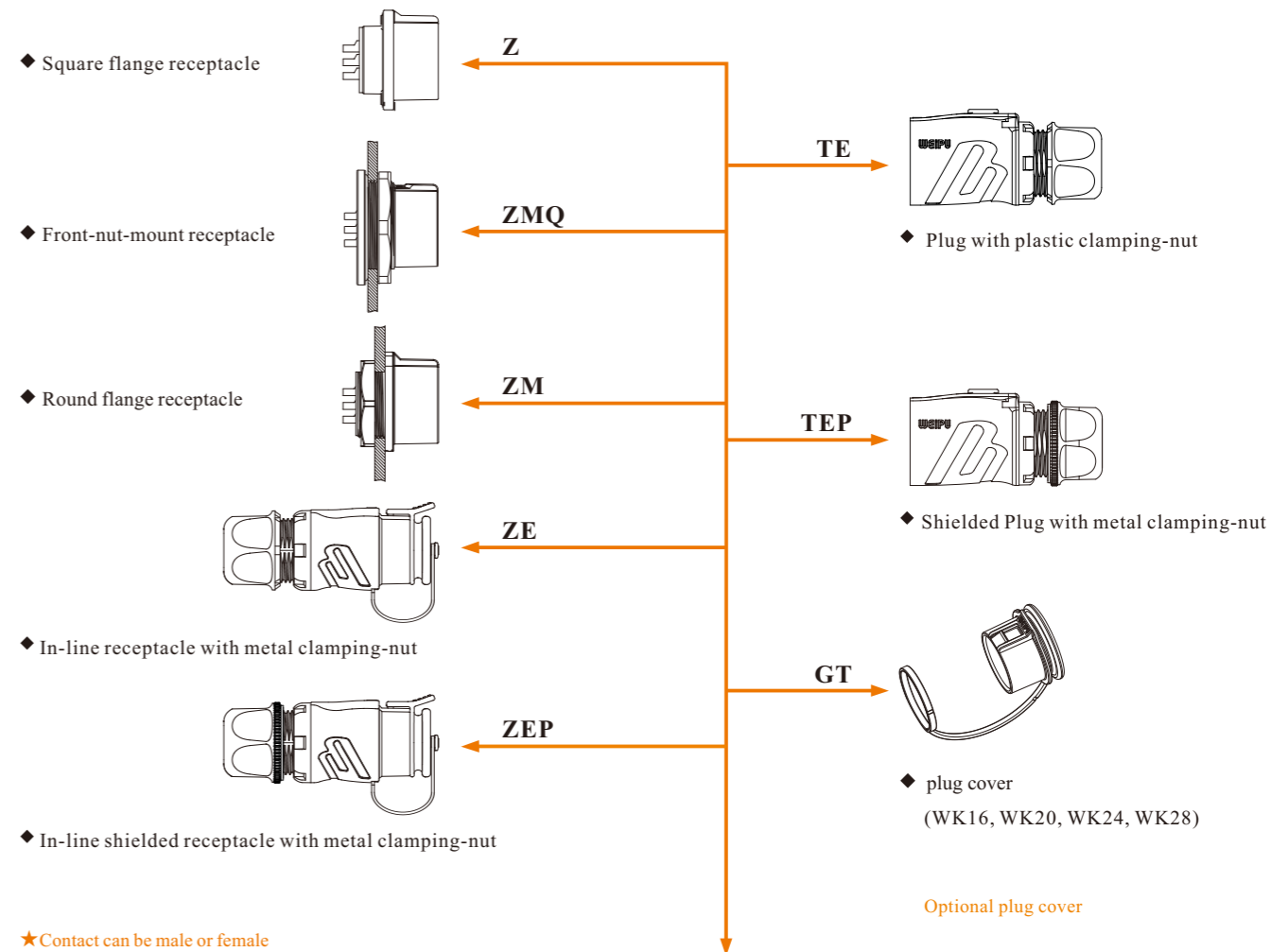
Material and spec

Specifications	WK16	WK20
Coupling		Push-Lock connection
Shell		PPE, Zinc alloy, Fire resistance: V-0
Contact material		Brass with gold plating
Insert material		PPS, PBT, max temperature 260 °C
Termination	Solder	Solder Screw Crimp
Key lock	No	Yes
IP rating		IP68 (mated)
Mating cycle		500
Temperature range		-40°C ~ +105°C
Insulation resistance		2000 MΩ

● WK Series



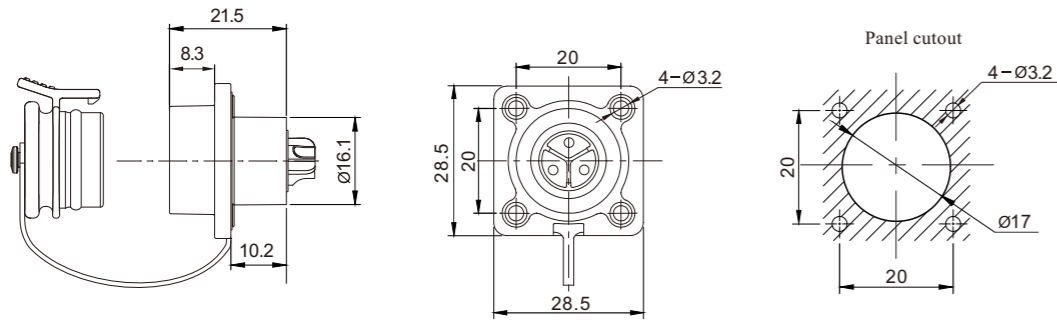
● WK Series Mating diagram



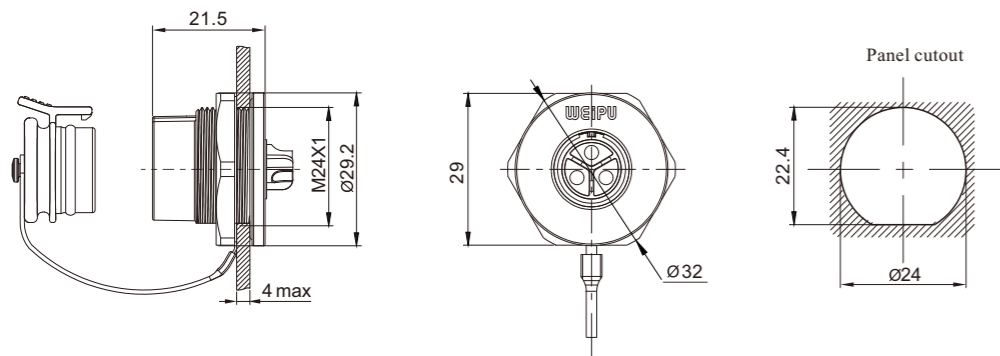


**WK  
16**

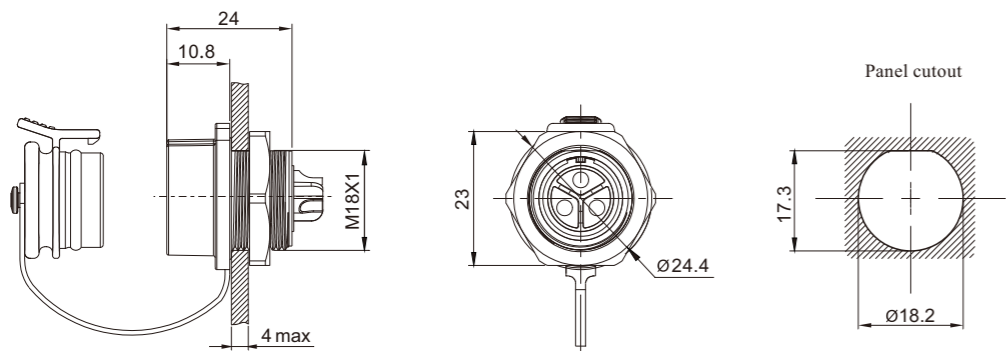
● Square flange receptacle: Z IP68



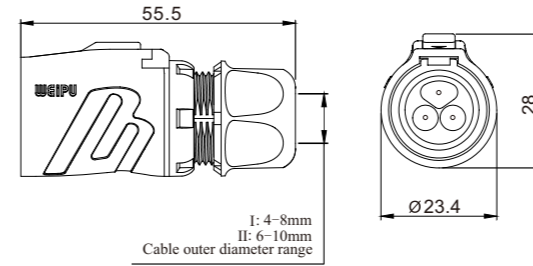
● Front-nut-mount receptacle: ZMQ IP68



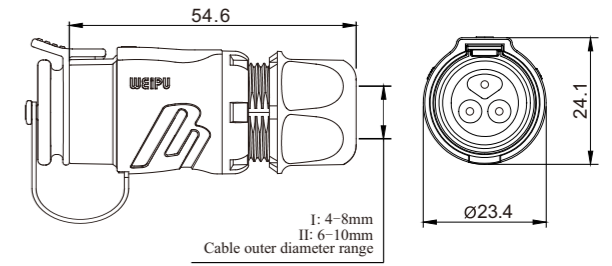
● Round flange receptacle: ZM IP68



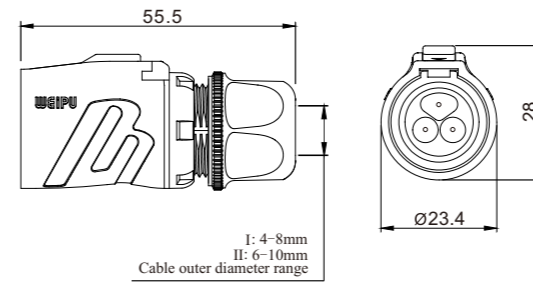
● Plug with plastic clamping-nut: TE IP68



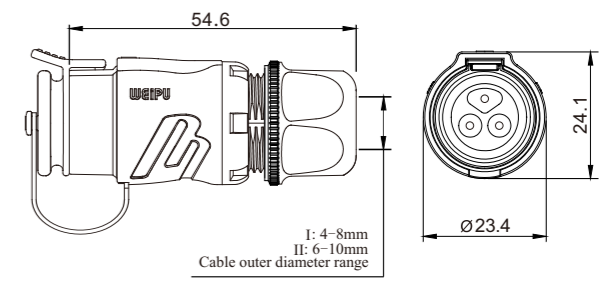
● In-line receptacle with plastic clamping-nut: ZE IP68



● Shielded Plug with metal clamping-nut: TEP IP68



● In-line shielded receptacle with metal clamping-nut: ZEP IP68



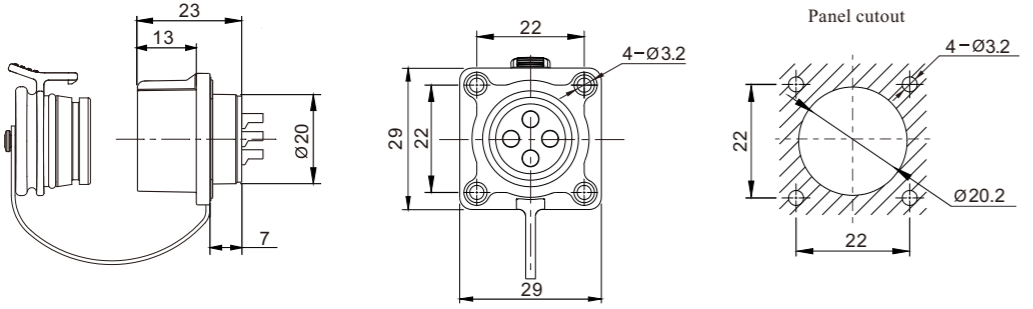
Solder contact spec

WK16	2	3	4	5	7	8	9
Male contact face view							
Rated current (A)	10	10	10	5	5	5	5
Contact diameter(mm)	Ø1.5X2	Ø1.5X3	Ø1.5X4	Ø1X5	Ø1X7	Ø1X8	Ø1X9
Rated voltage (AC.V)	400	400	400	250	250	250	250
Test voltage(AC.V) 1 min	1500	1500	1500	1500	1500	1500	1500
Contact resistance(mΩ)	3	3	3	5	5	5	5
Wire size (mm <sup>2</sup> /AWG)	≤1.5/16	≤1.5/16	≤1.5/16	≤0.75/20	≤0.75/20	≤0.75/20	≤0.75/20

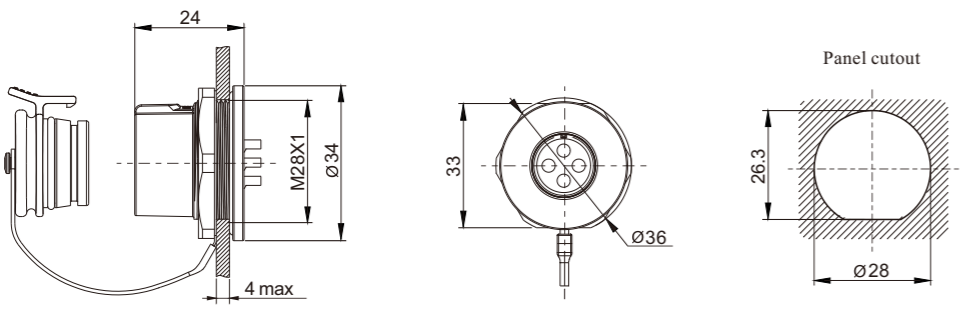
**WK  
20**



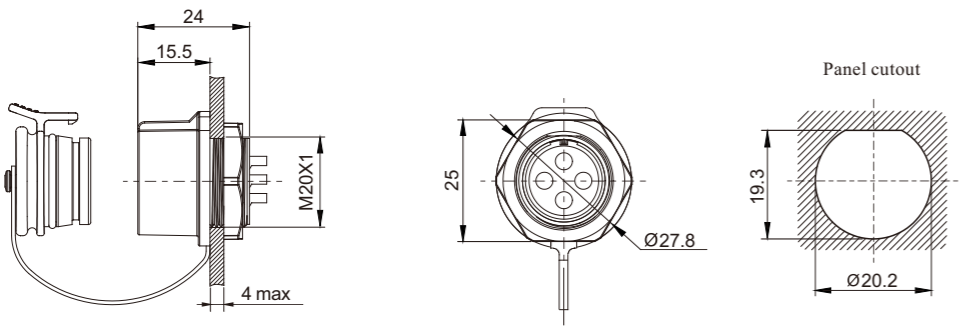
● Square flange receptacle: Z IP68



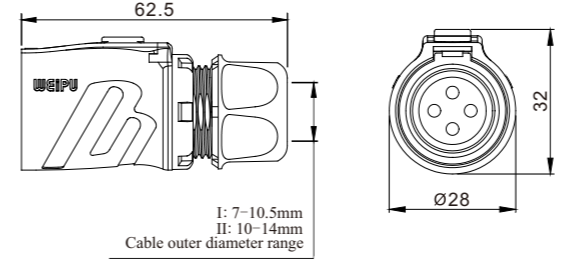
● Front-nut-mount receptacle: ZMQ IP68



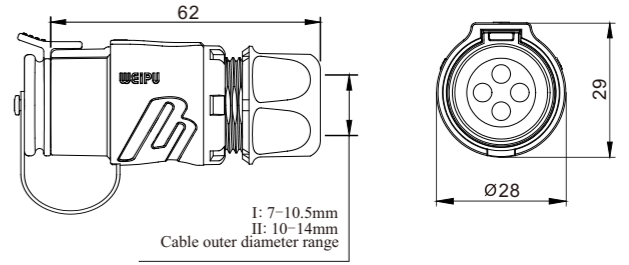
● Round flange receptacle: ZM IP68



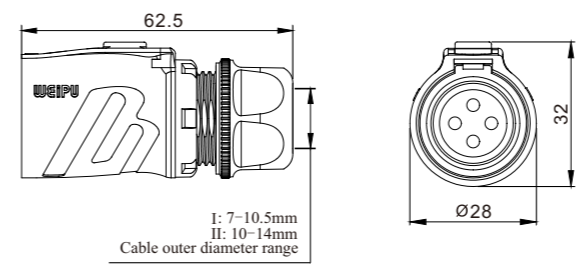
● Plug with plastic clamping-nut: TE IP68



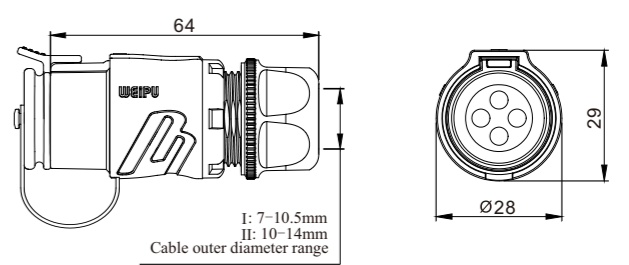
● In-line receptacle with plastic clamping-nut: ZE IP68



● Shielded Plug with metal clamping-nut: TEP IP68



● In-line shielded receptacle with metal clamping-nut: ZEP IP68



Solder contact spec

WK20	2	3	4	5	5B	5C	6	6B	7	8	9	12	15
Male contact face view													
Rated current (A)	30	30	30	30	30 5	15	25 5	30 5	15	10	5	5	5
Contact diameter (mm)	Ø3X2	Ø3X3	Ø3X4	Ø3X5	Ø3X2 Ø1X3	Ø2X5	Ø2.5X4 Ø1X2	Ø3X2 Ø1X4	Ø2X7	Ø1.5X8	Ø1X9	Ø1X12	Ø1X15
Rated voltage (AC.V)	500	500	500	500	500	500	500	500	500	500	400	400	400
Test voltage(AC.V) 1 min	1500	1500	1500	1500	1500	1500	1500	1500	1500	1500	1200	1200	1200
Contact resistance (mΩ)	1	1	1	1	1 5	2.5	1 5	1 5	2.5	2.5	5	5	5
Wire size for solder (mm <sup>2</sup> / AWG)	≤4/11	≤4/11	≤4/11	≤4/11	≤4/11 ≤0.75/18	≤2/14	≤4/11 ≤0.75/18	4/11 ≤0.75/18	≤2/14	≤2/14	≤0.75/18	≤0.75/18	≤0.75/18

## Crimp contact spec

SF20, SA20, SP21, SY21, WK20, WS20, WF20, WY20, WP20	1	2	3	4	5	7	7B	8
Male contact face view								
Rated current (A)	100	25	25	25	10	10	5	5
Contact diameter(mm)	Ø5.5X1	Ø2.5X2	Ø2.5X3	Ø2.5X4	Ø1.5X5	Ø1.5X7	Ø1X7	Ø1X8
Rated voltage (AC.V)	500	500	500	500	500	500	400	400
Test voltage(AC.V) 1 min	1500	1500	1500	1500	1500	1500	1200	1200
Contact resistance(mΩ)	0.3	1	1	1	2.5	2.5	5	5
Insulation resistance (MΩ)	2000	2000	2000	2000	2000	2000	2000	2000

## Crimp contact

### 5A Crimp contact

- ※ Contact diameter: Ø1
- ※ Material: Brass with gold plating
- ※ Contact resistance: 5mΩ



#### 5A Male crimp contact

For SF, SA, SP, SY, WP, WS/WF/WY16-28

Wire size	Stripping length	Male crimp contact p/n	Crimping tool p/n	Removal tool p/n
0.20-0.52mm <sup>2</sup> AWG 24-20	5.5mm	YK1-17-0.52AU	CTW-0.14/4	RT-1.0

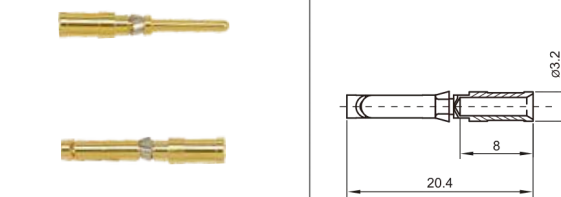
#### 5A Female crimp contact

For SF, SA, SP, SY, WP, WS/WF/WY16-28

Wire size	Stripping length	Female crimp contact p/n	Crimping tool p/n	Removal tool p/n
0.20-0.52mm <sup>2</sup> AWG 24-20	5.5mm	YK1-17-0.52AU	CTW-0.14/4	RT-1.0

### 10A Crimp contact

- ※ Contact diameter: Ø1.5
- ※ Material: Brass with gold plating
- ※ Contact resistance: 2.5mΩ



#### 10A Male crimp contact

For SF, SA, SP, SY, WP, WS/WF/WY16-28

Wire size	Stripping length	Male crimp contact p/n	Crimping tool p/n	Removal tool p/n
0.14-0.37mm <sup>2</sup> AWG 26-22	8mm	YJ1.5-21.4-0.37AU	CTW-0.14/4	RT-1.5
0.5mm <sup>2</sup> AWG 20	8mm	YJ1.5-21.4-0.5AU	CTW-0.14/4	RT-1.5
0.75-1.0mm <sup>2</sup> AWG 18	8mm	YJ1.5-21.4-1.0AU	CTW-0.14/4	RT-1.5
1.5mm <sup>2</sup> AWG 16	8mm	YJ1.5-21.4-1.5AU	CTW-0.14/4	RT-1.5
2.5mm <sup>2</sup> AWG 14	8mm	YJ1.5-21.4-2.5AU	CTW-0.14/4	RT-1.5

#### 10A Female crimp contact

For SF, SA, SP, SY, WP, WS/WF/WY16-28

Wire size	Stripping length	Female crimp contact p/n	Crimping tool p/n	Removal tool p/n
0.14-0.37mm <sup>2</sup> AWG 26-22	8mm	YK1.5-20.4-0.37AU	CTW-0.14/4	RT-1.5
0.5mm <sup>2</sup> AWG 20	8mm	YK1.5-20.4-0.5AU	CTW-0.14/4	RT-1.5
0.75-1.0mm <sup>2</sup> AWG 18	8mm	YK1.5-20.4-1.0AU	CTW-0.14/4	RT-1.5
1.5mm <sup>2</sup> AWG 16	8mm	YK1.5-20.4-1.5AU	CTW-0.14/4	RT-1.5
2.5mm <sup>2</sup> AWG 14	8mm	YK1.5-20.4-2.5AU	CTW-0.14/4	RT-1.5

### 25A Crimp contact

- ※ Contact diameter: Ø2.5
- ※ Material: Brass with gold plating
- ※ Contact resistance: 1mΩ



#### 25A Male crimp contact

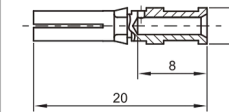
For SF, SA, SP, SY, WP, WS/WF/WY16-28

Wire size	Stripping length	Male crimp contact p/n	Crimping tool p/n	Removal tool p/n
0.75-1.0mm <sup>2</sup> AWG 18	8mm	YJ2.5-21.4-1.0AU	CTW-0.14/4	RT-2.5
1.5mm <sup>2</sup> AWG 16	8mm	YJ2.5-21.4-1.5AU	CTW-0.14/4	RT-2.5
2.5mm <sup>2</sup> AWG 14	8mm	YJ2.5-21.4-2.5AU	CTW-0.14/4	RT-2.5
4.0mm <sup>2</sup> AWG 12	8mm	YJ2.5-21.4-4.0AU	CTW-0.14/4	RT-2.5

## Crimp contact

### 25A Crimp contact

- ※ Contact diameter: Ø2.5
- ※ Material: Brass with gold plating
- ※ Contact resistance: 1mΩ



#### 25A Female crimp contact

For SF, SA, SP, SY, WP, WS/WF/WY16-28

Wire size	Stripping length	Female crimp contact p/n	Crimping tool p/n	Removal tool p/n
0.75-1.0mm <sup>2</sup> AWG 18	8mm	YK2.5-20-1.0AU	CTW-0.14/4	RT-2.5
1.5mm <sup>2</sup> AWG 16	8mm	YK2.5-20-1.5AU	CTW-0.14/4	RT-2.5
2.5mm <sup>2</sup> AWG 14	8mm	YK2.5-20-2.5AU	CTW-0.14/4	RT-2.5
4.0mm <sup>2</sup> AWG 12	8mm	YK2.5-20-4.0AU	CTW-0.14/4	RT-2.5

## Crimp tool

For crimping the male / female contacts



Part number	Crimping wire range
YQK-70	4-70mm <sup>2</sup> AWG 11-2/0

## Crimp tool and Removal tool

### Crimp tool

For crimping the male / female contacts



Part number	Crimping wire range
CTW-0.14/4	0.14-4mm <sup>2</sup> AWG 26-12

Part number	Crimping wire range
CT-4/10	4-10mm <sup>2</sup> AWG 11-7
CT-0.14/4	0.14-4mm <sup>2</sup> AWG 26-12

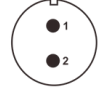


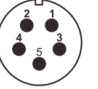
## Removal tool

For taking out male / female contacts



Part number	Removal range
RT-1.0	5A Male / Female crimp contact
RT-1.5	10A Male / Female crimp contact
RT-2.5	25A Male / Female crimp contact
RT-3.5	50A Male / Female crimp contact

Screw contact spec

SP21, SY21, WP20, WK20	2	3	4	5
Male contact face view				
Rated current (A)	10	10	10	10
Contact diameter(mm)	∅3×2	∅3×3	∅3×4	∅3×5
Rated voltage (AC.V)	500	500	500	500
Test voltage(AC.V) 1 min	1500	1500	1500	1500
Contact resistance (mΩ)	1	1	1	1
Wire size (mm <sup>2</sup> / AWG)	≤1.5/15	≤1.5/15	≤1.5/15	≤1.5/15

# WK Series

