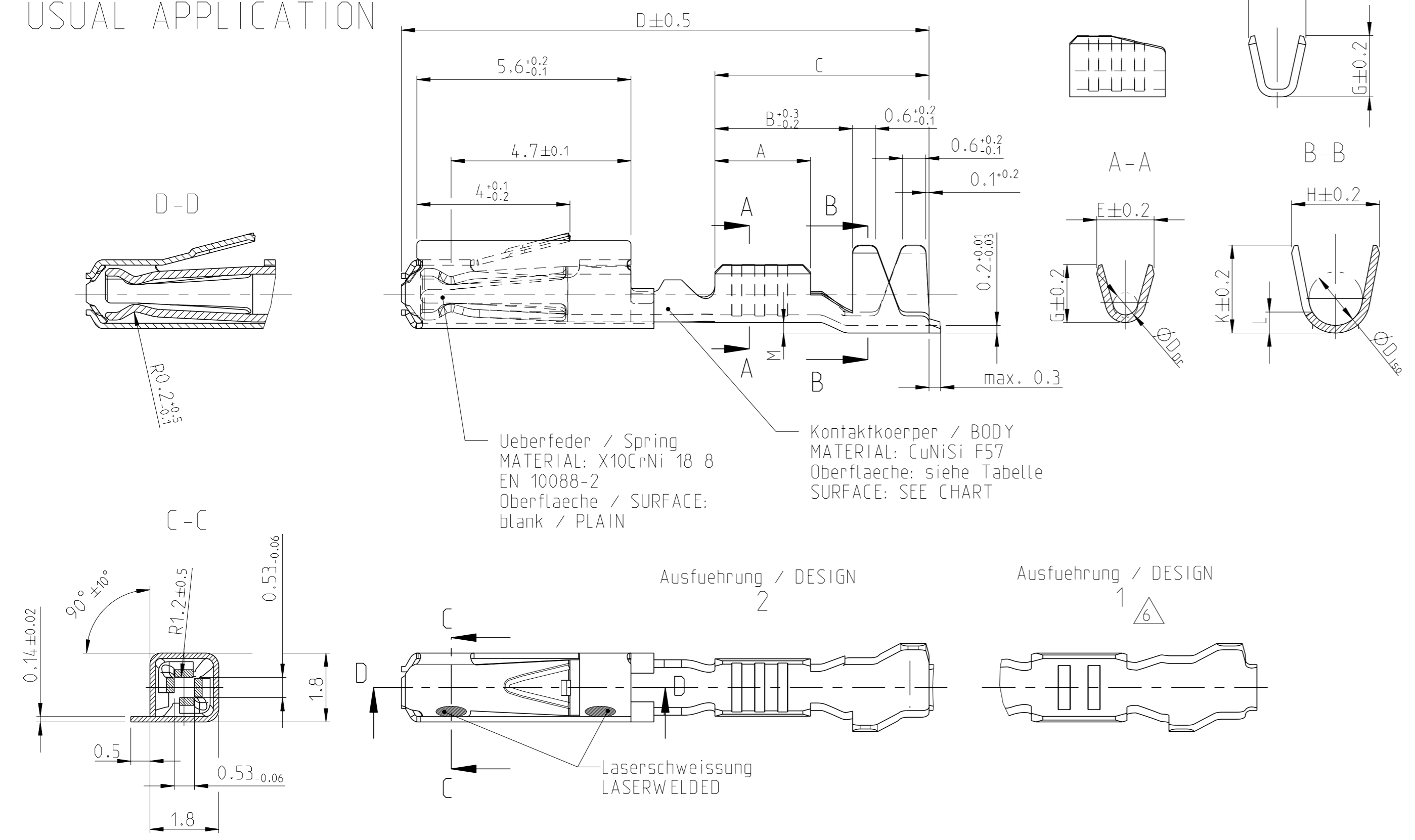
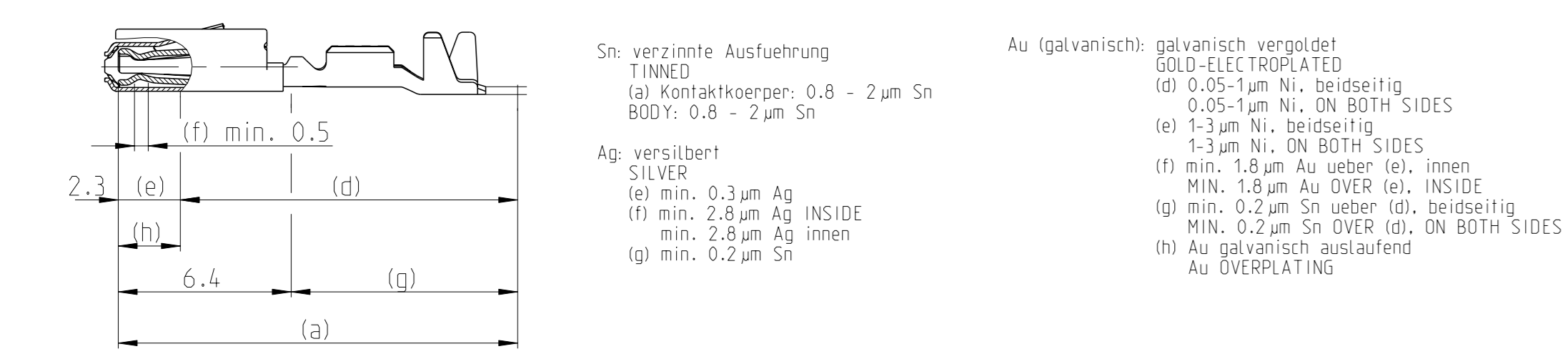


Normale Anwendung USUAL APPLICATION



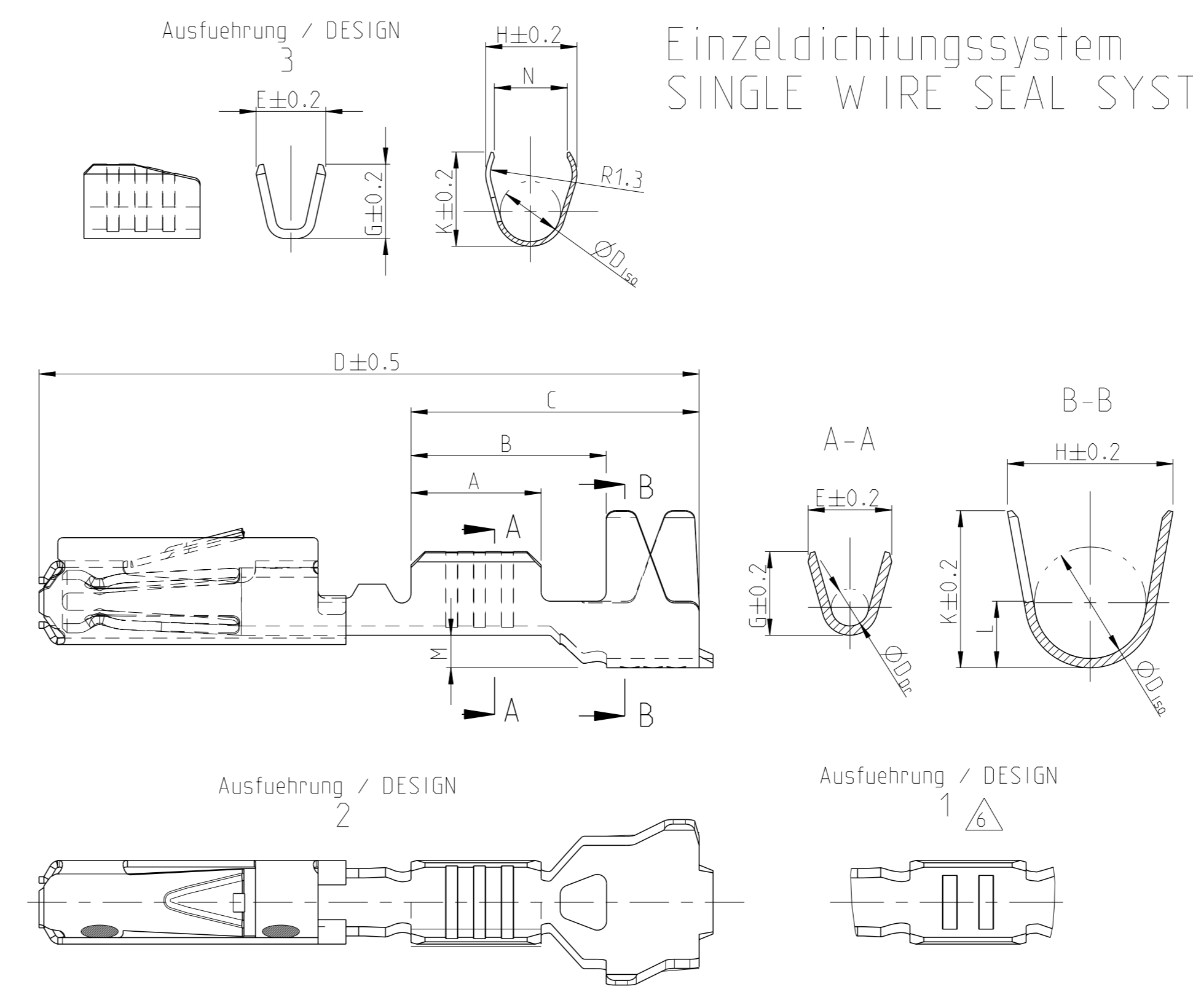
Oberflaeche / FINISH



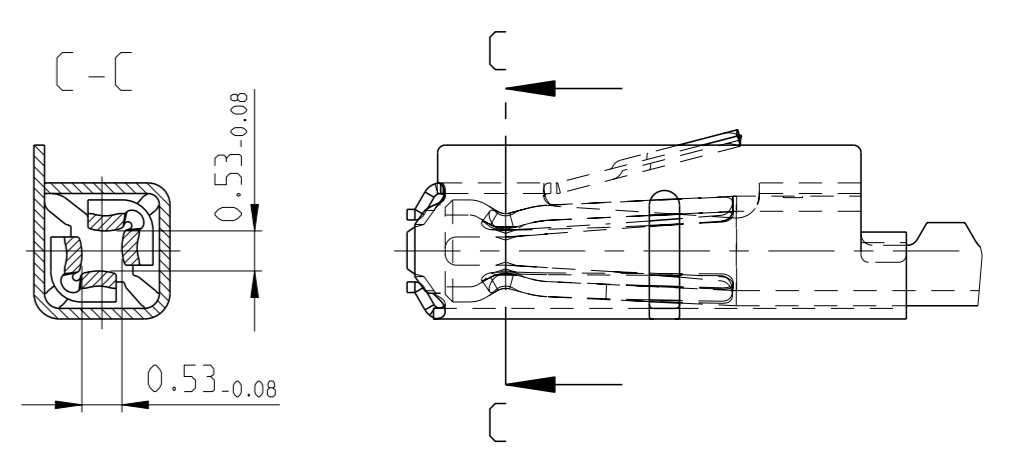
6-965906-5	E	1-965906-5	D	Einzelichtungssystem SINGLE WIRE SEAL SYSTEM	0.50-0.75	Au+Gel	A = 2.8 B = 4.2 C = 6.2 D = 14.3 M = 0.7	E = 2 G = 2.1 D _{Dr} = 1	H = 3.5 K = 3.4 L = 1.5 D _{Iso} = 2.4	0.13	0.75	1.4-1.9	967067-1 gruen GREEN	963142-1 schwarz BLACK	114-18025							
6-965906-6	D	965906-6	C			Ag	A = 2.5 B = 3.9 C = 5.9 D = 14 M = 0.7	E = 1.8 G = 1.8 D _{Dr} = 0.8	H = 3.5 K = 3.4 L = 1.5 D _{Iso} = 2.4							0.13	0.35	0.9-1.4	967067-2 gelb YELLOW	963142-2 grau GREY	967056-1 blau / BLUE	967056-1 blau / BLUE
5-965906-5	E	965906-5	D			Au	A = 2.5 B = 4.3 C = 6.2 D = 13.7 M = 0.6	E = 1.5 G = 1.4	H = 4 K = 4.1 L = 3.1 D _{Iso} = 2.6							0.1	0.13	0.85-1.25	967067-2 gelb YELLOW	963142-2 grau GREY		
5-965906-1	D	965906-1	C			Sn	A = 2.8 B = 3.8 C = 5.6 D = 13.7 M = 0.2	E = 2 G = 2.1 D _{Dr} = 1	H = 2.7 K = 2.9 L = 0.7 D _{Iso} = 1.6							0.11	0.50-0.75					
5-962885-6	J	962885-6	H	Ag	A = 2.5 B = 3.6 C = 5.6 D = 13.7 M = 0.2	E = 1.8 G = 1.8 D _{Dr} = 0.8	H = 2.3 K = 2.3 L = 0.6 D _{Iso} = 1.4	0.11	0.25-0.35													
5-962885-5	K	962885-5	J	Au	A = 2.5 B = 3.7 C = 5.4 D = 13.7 M = 0	E = 1.5 G = 1.4	H = 2 K = 1.9 D _{Iso} = 1.1	0.1	0.13 / 0.17													
5-962885-1	J	962885-1	H	Sn	A = 2.8 B = 4.3 C = 6.2 D = 13.7 M = 0.6	E = 1.5 G = 1.5 D _{Dr} = 0.65	H = 2 K = 2 D _{Iso} = 1.1	0.1	0.08-0.22													
6-963715-5	K	1-963715-5	J	Au+Gel	A = 2.8 B = 3.8 C = 5.6 D = 13.7 M = 0.2	E = 2 G = 2.1 D _{Dr} = 1	H = 2.7 K = 2.9 L = 0.7 D _{Iso} = 1.6	0.11	0.50-0.75													
5-963715-6	J	963715-6	H	Ag	A = 2.5 B = 3.6 C = 5.6 D = 13.7 M = 0.2	E = 1.8 G = 1.8 D _{Dr} = 0.8	H = 2.3 K = 2.3 L = 0.6 D _{Iso} = 1.4	0.11	0.25-0.35													
5-963715-5	K	963715-5	J	Au	A = 2.5 B = 3.7 C = 5.4 D = 13.7 M = 0	E = 1.5 G = 1.4	H = 2 K = 1.9 D _{Iso} = 1.1	0.1	0.13 / 0.17													
5-963715-1	J	963715-1	H	Sn	A = 2.8 B = 4.3 C = 6.2 D = 13.7 M = 0.6	E = 1.5 G = 1.5 D _{Dr} = 0.65	H = 2 K = 2 D _{Iso} = 1.1	0.1	0.08-0.22													
6-928999-5	T	1-928999-5	S	Au+Gel	A = 2.8 B = 4.3 C = 6.2 D = 13.7 M = 0.6	E = 2 G = 2.1 D _{Dr} = 1	H = 2.7 K = 2.9 L = 0.7 D _{Iso} = 1.6	0.11	0.50-0.75													
5-928999-6	S	928999-6	R	Ag	A = 2.5 B = 3.6 C = 5.6 D = 13.7 M = 0.2	E = 1.8 G = 1.8 D _{Dr} = 0.8	H = 2.3 K = 2.3 L = 0.6 D _{Iso} = 1.4	0.11	0.25-0.35													
5-928999-5	T	928999-5	S	Au	A = 2.5 B = 3.7 C = 5.4 D = 13.7 M = 0	E = 1.5 G = 1.4	H = 2 K = 1.9 D _{Iso} = 1.1	0.1	0.13 / 0.17													
5-928999-1	S	928999-1	R	Sn	A = 2.8 B = 4.3 C = 6.2 D = 13.7 M = 0.6	E = 1.5 G = 1.5 D _{Dr} = 0.65	H = 2 K = 2 D _{Iso} = 1.1	0.1	0.08-0.22													
2141826-6	A			Ag	A = 2.5 B = 4.3 C = 6.2 D = 13.7 M = 0.6	E = 1.5 G = 1.4	H = 4 K = 4.1 L = 3.1 D _{Iso} = 2.6	0.1	0.13 / 0.17													
2141826-5	A			Au	A = 2.5 B = 3.7 C = 5.4 D = 13.7 M = 0	E = 1.5 G = 1.4	H = 2 K = 1.9 D _{Iso} = 1.1	0.1	0.13 / 0.17													
2141826-1	A			Sn	A = 2.8 B = 4.3 C = 6.2 D = 13.7 M = 0.6	E = 1.5 G = 1.5 D _{Dr} = 0.65	H = 2 K = 2 D _{Iso} = 1.1	0.1	0.08-0.22													
1355717-5	C			Au	A = 2.8 B = 4.3 C = 6.2 D = 13.7 M = 0.6	E = 1.5 G = 1.5 D _{Dr} = 0.65	H = 2 K = 2 D _{Iso} = 1.1	0.1	0.08-0.22													
1355717-1	C			Sn	A = 2.8 B = 4.3 C = 6.2 D = 13.7 M = 0.6	E = 1.5 G = 1.5 D _{Dr} = 0.65	H = 2 K = 2 D _{Iso} = 1.1	0.1	0.08-0.22													

Bestell-Nr. Ausfuehrung ORDER NO. DESIGN 2	Bestell-Nr. Ausfuehrung ORDER NO. DESIGN 3	Rev	Bestell-Nr. Ausfuehrung ORDER NO. DESIGN 1	Rev	VERSION	DGB Wire Size Range mm ²	Oberflaeche SURFACE	Laenge LENGTH mm	Drahtcrimp WIRE CRIMP mm	Iso-crimp INSU-CRIMP mm	Gewicht WEIGHT g	Verarbeitung Spez. APPLICATION SPEC.	DGB Wire Size Range mm ²	Isolations Ø INSULATION DIA. mm	fuer Kammer Ø3.45 FOR CAVITY DIA. 3.45 mm	Blindstopfen RUBBER PLUG	fuer Kammer Ø4 FOR CAVITY DIA. 4 mm	Blindstopfen RUBBER PLUG
					normale Anwendung USUAL APPLICATION													
zugehoerige Einzelichtung / SUITABLE SINGLE WIRE SEAL																		

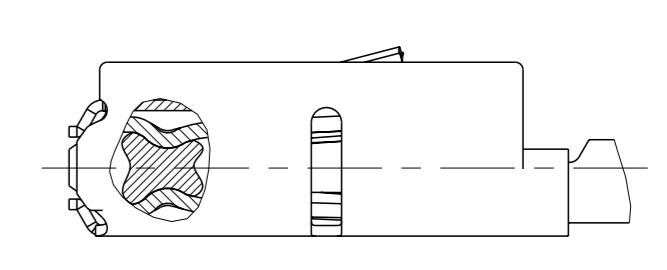
Einzelichtungssystem SINGLE WIRE SEAL SYSTEM



vergoldete Ausfuehrung GOLD VERSION



GEL VERSION



Bemerkungen

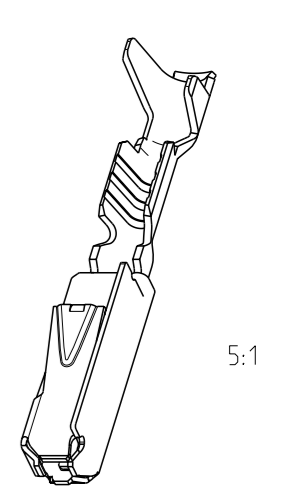
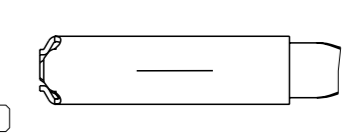
- Datumscode (Woche/Jahr z.B. KW 38/Jahr2009) und TE-Revision (z.B. Rev.A) DATE CODE (WEEK/YEAR E.G. WEEK NUMBER 38/YEAR2009) AND TE REVISION (E.G. REV. A)
- Passend zu Stiftkontakt siehe Zeichnung 929453 SUITABLE FOR PIN CONTACT SEE DRAWING 929453
- Einzelheiten der Ausfuehrung bleiben dem Hersteller ueberlassen DETAILS OF DESIGN ARE LEFT TO MANUFACTURER
- Nur fuer FLR-Leitung nach DIN 72551 Teil 6 FOR FLR-CONDUCTOR ACCORDING TO DIN 72551-6 ONLY

5 -

6 nicht fuer Neuanwendung NOT FOR NEW APPLICATION

7 zugestaerkte Leitung nach LV 112-4 REINFORCED WIRE ACCORDING LV 112-4

8 Bei doppelt fallenden Werkzeugen wird die erste Ueberfeder mit einer Kennzeichnung "-" versehen WITH DOUBLE OUT DIES THE FIRST SPRING WILL BE PROVIDED WITH AN INDICATION "-"



THIS DRAWING IS A CONTROLLED DOCUMENT.		OWN S.Garcia 05JAN1999	TE Connectivity	
DIMENSIONS: mm		CHK R.Jetter 05JAN1999		
TOLERANCES UNLESS OTHERWISE SPECIFIED:		APPV M.Bleicher 13AUG2003	NAME	
		108-18030	MOS	
MATERIAL		114-18021 / 114-18025	Tabellenzeichnung Buchsenkontakt TABLE SOCKET CONTACT	
FINISH		WEIGHT	SIZE	RESTRICTED TO
		00779	114-18021 / 114-18025	1 of 1
		SCALE 10:1	SHEET 1 of 1	
		CUSTOME DRAWING		REP C 18

Mouser Electronics

Authorized Distributor

Click to View Pricing, Inventory, Delivery & Lifecycle Information:

[TE Connectivity:](#)

[963715-1](#)