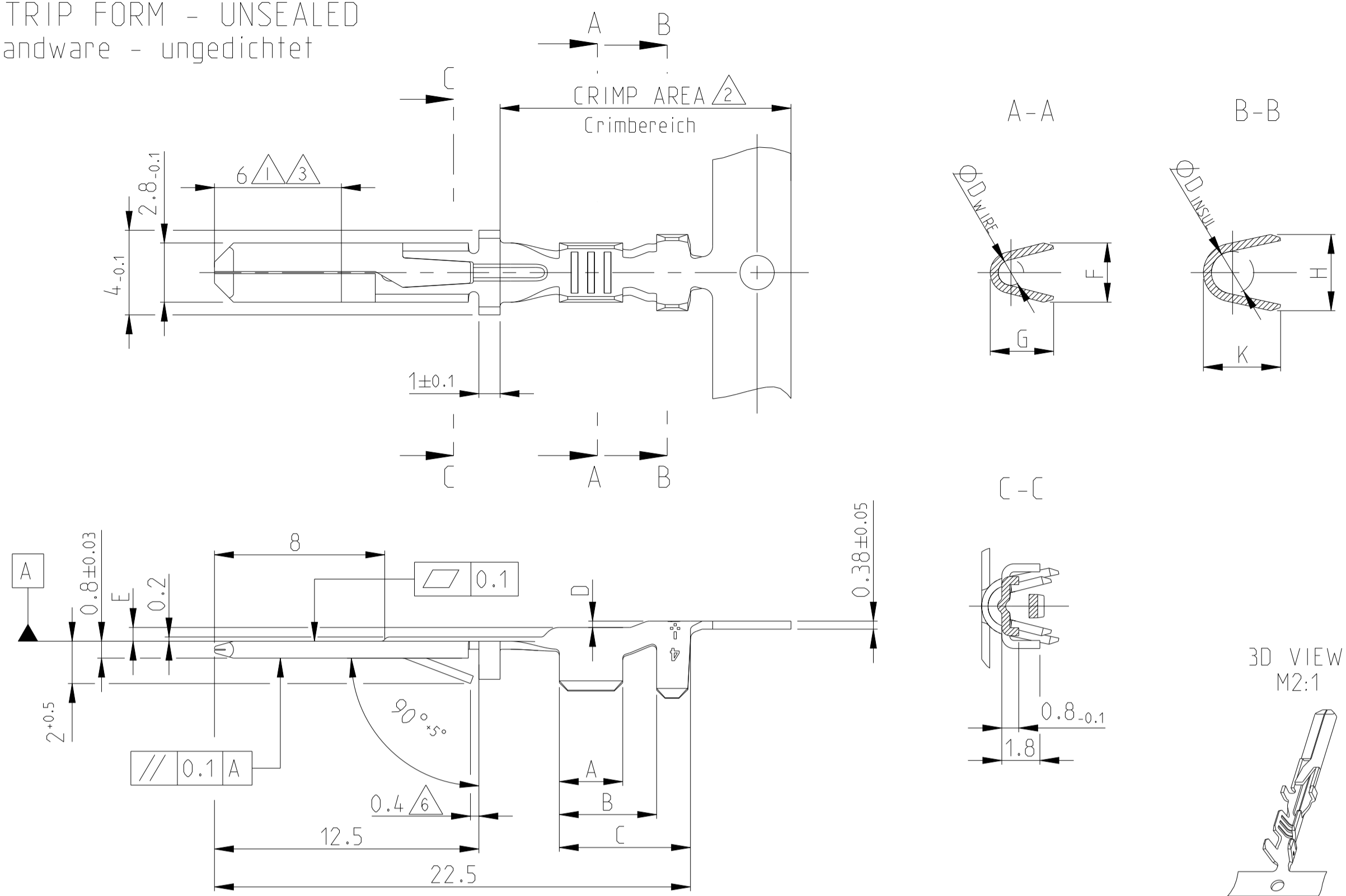
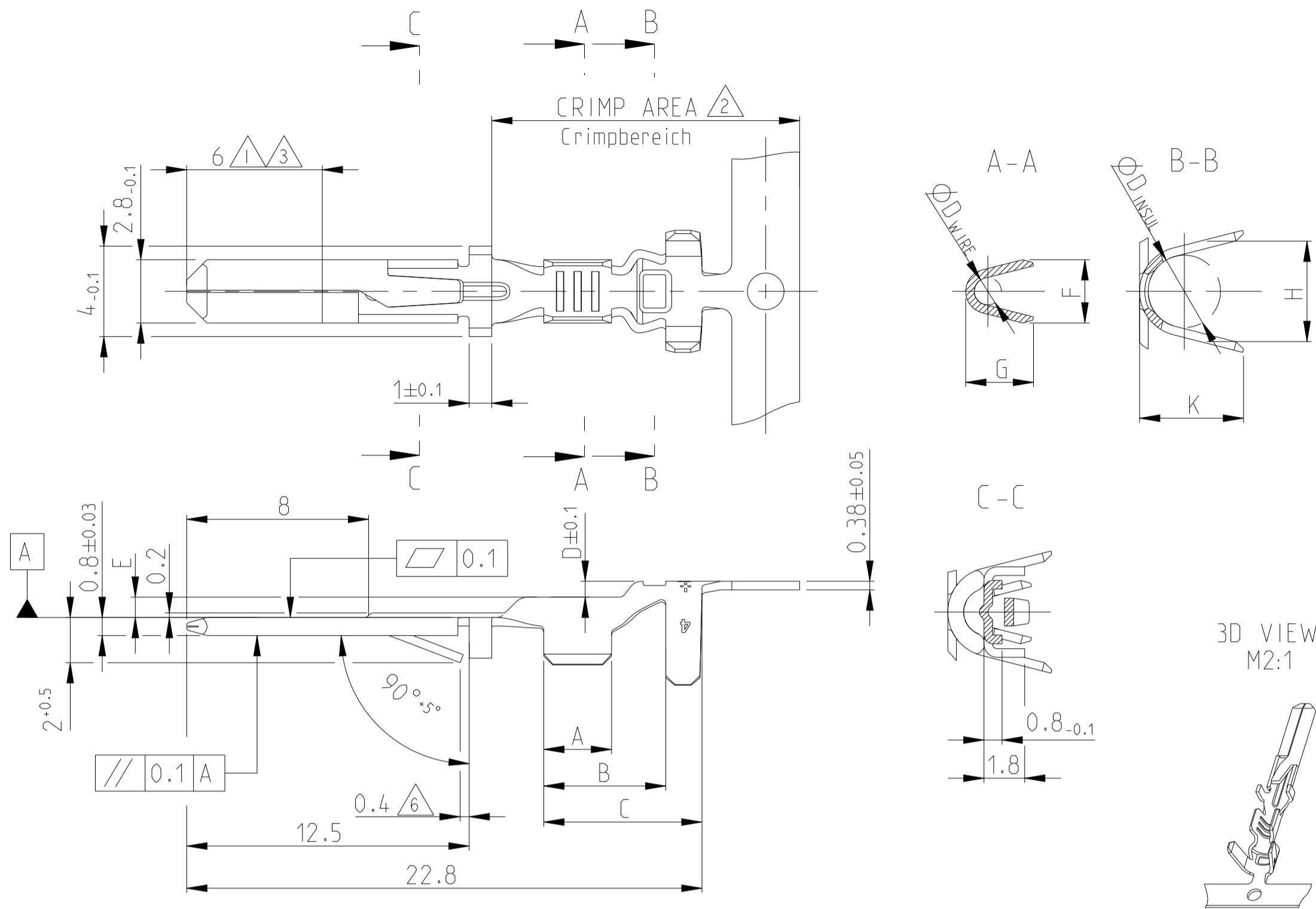


STRIP FORM - UNSEALED
Bandware - ungedichtet

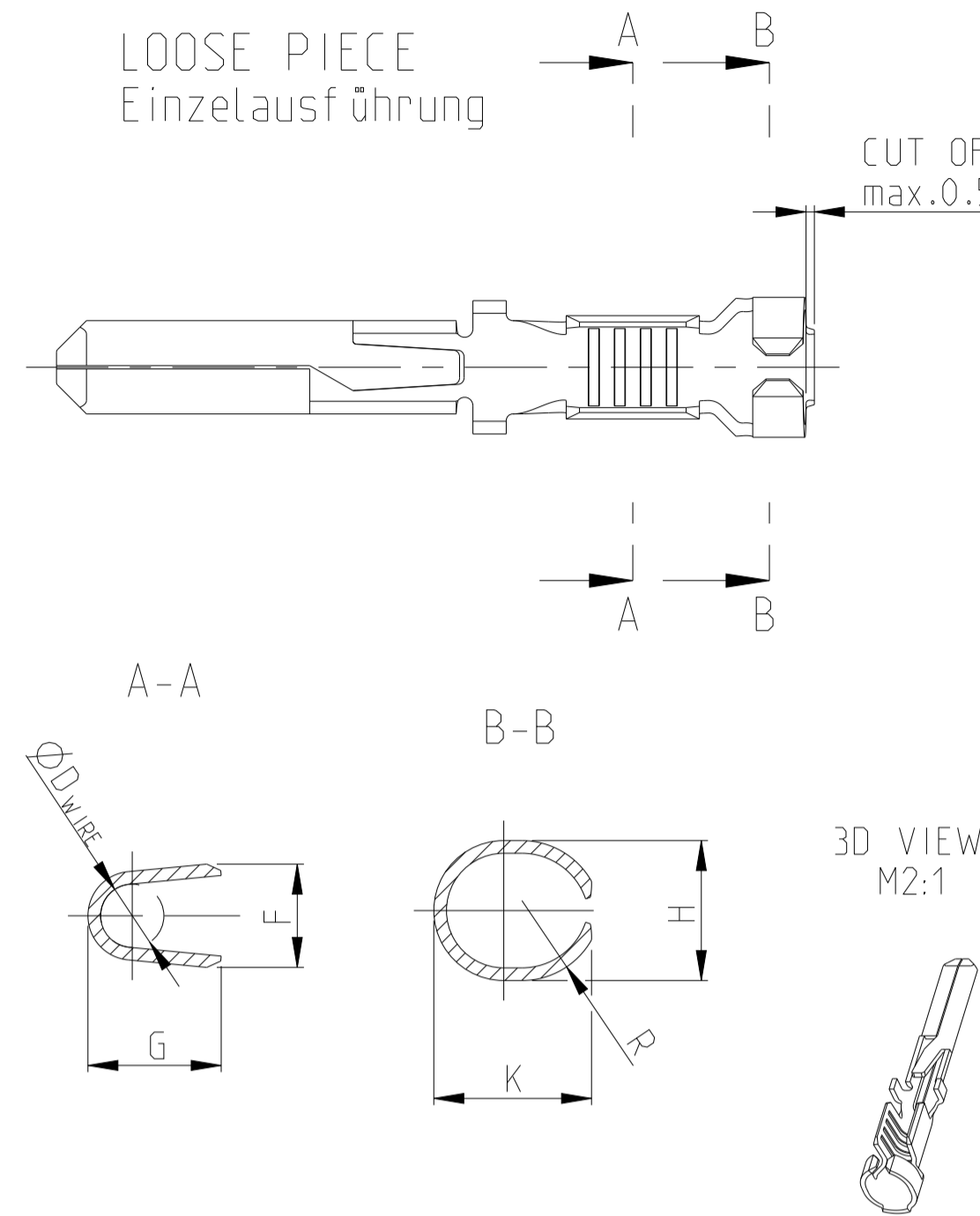


STRIP FORM - SINGLE WIRE SEAL
Bandware - Einzel-Dichtung System



REVISIONS table with columns: P, LTR, DESCRIPTION, DATE, DWN, APVD. Contains revision entries for A6, A7, and A8.

LOOSE PIECE
Einzelausführung



Main specification table with columns: UNSEALED / ungedichtet, HAND TOOL, APPLICATOR, INSULATION BARREL, WIRE BARREL, INSULATION BARREL, WIRE BARREL, REELING RANGE, WIRE RANGE, FINISH, MATERIAL, TYCO ORDER No. LOOSE PIECE, REV, TYCO ORDER No. STRIP FORM. Includes part numbers, dimensions, and material specifications.

NOTES:
Bemerkungen

- CONTACT AREA min.0.75 µm Au OVER min.1.25 µm Ni
CRIMP AREA 1-2 µm Sn OVER min.0.05 µm Ni
Min.3µm Ag IN LOCALIZED AREA. FLASH Ag ON REMAINDER.
ALL VERSIONS SPLICE FREE EXCEPT OF
SPLICE ACCORDING TO TYCO-SPEC. 118-10107 SPLICE ADDITIONAL MARK
TO BE MEASURED BY DIMENSION 2 mm
REELING TYPE
OBSOLETE
NUMBER OF SERRATIONS: 4
NUMBER OF SERRATIONS: 2

Controlled document information table including dimensions, tolerances, material, and customer drawing details.

Mouser Electronics

Authorized Distributor

Click to View Pricing, Inventory, Delivery & Lifecycle Information:

[TE Connectivity:](#)

[928930-4](#)